

SONY

Hi-Fi Products
Service Bulletin

Sony Service Company - Technical Services
A Division of Sony Corporation of America
Sony Drive, Park Ridge, New Jersey 07656

Model: STR-GX9ES

No. 64

Subject: Noise In Output

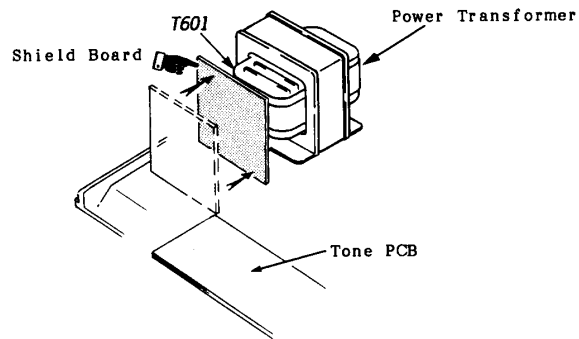
Date: February 23, 1989

Symptom:
(54)

Tone PCB picks up hum from the power transformer.

Solution: Please add a shield board to the transformer as shown:

Description	Part Number
Shield Board	T-9985-208-1



CSA-13 Receiver

Reference: FAX From Tokyo

PRINTED IN U.S.A.
CSA-13169-4